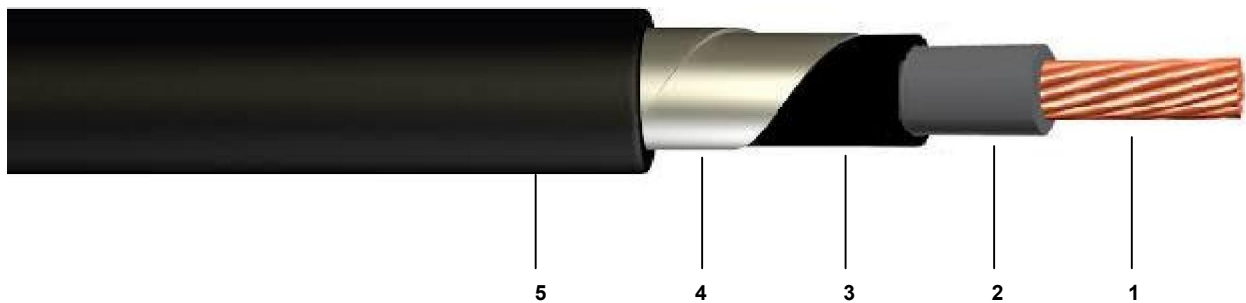


Standard	Aprobari / Approvals	Ambalare / Packaging
SR HD 603 S1/5G; IEC 60502-1, ST105	Certificat de omologare tehnica feroviara Nr 126, 127/2014 , AFER Buc Railway Technical Approval Certificate No 126, 127/2014 , AFER Buc Romania	Tambur/ drum

CARACTERISTICI		CHARACTERISTICS	
<b>Utilizare:</b> Cablurile sunt utilizate pentru transportul energiei electrice la statii de putere. Cablurile trebuie protejate impotriva agentilor corozivi si a solventilor chimici Cablurile sunt cu rezistenta la UV		<b>Applicability:</b> Power supply to power stations. The cables must be protected against: corozive chemicals and chemical solvents Cables are UV resistant	
Tensiune nominala U <sub>0</sub> /U	0.6/1 kV	Rated voltage U <sub>0</sub> /U	0.6/1 kV
Tensiune de incercare	3.5 kV ca sau 8.4 kV cc,5 min	Test voltage	3.5 kV ac or 8.4 kV dc,5 min
Rezistivitatea de volum specifica, min,	la 20 °C-1x10 <sup>15</sup> la 90°C-1x10 <sup>12</sup>	Volume resistivity at , min	la 20 °C-10 <sup>15</sup> la 90°C-10 <sup>12</sup>
Rezistenta de izolatie la 20 °C	Min. 50 MΩ*km	Rezistenta de izolatie la 20 °C	Min. 50 MΩ*km
Constanta rezistentei de izolatie	90 °C:min 3.67 MΩ*km	Insulation resistance constant at	90 °C:min 3.67 MΩ*km
Temperatura minima de instalare pe cablu	-5°C	The minim temperature of de cable during installation	-5°C
Temperatura maxima de lucru	+90°C	Max.permissible operating temperature	+90°C
Temperatura maxima de scurt-circuit	+250°C (max 5 sec)	Max. short-circuit temperature	+250°C (max 5 sec)
Temperatura de utilizare normala	-40°C ÷ +90°C	Normal operational temperature range	-40°C ÷ +90°C
Temperatura minima de montaj	-5°C	Temperature during installation	-5°C
Temperatura masurata pe manta	-10°C ÷ +90°C	Temperature measured on the sheath	-10°C ÷ +90°C
Conformitate RoHS	Da	RoHS compliancy	Yes
Conformitate REACH	Da	REACH compliancy	Yes
Conductor de cupru sau aluminiu	Conductor unifilar (re), conductor multifilar (rm) conf. SR EN 60228	Copper,aluminum conductor	Monowire (re), multiwire (rm) according to SR EN 60228
Izolatie	XLPE	Insulation	XLPE
Umplutura	PVC sau benzi din material plastic	Filling	PVC or plastic tape
Manta interioara	PVC tip ST2	Inner sheath	PVC type ST2
Armatura	Banda de aluminiu	Armor	Aluminum tape
Manta exterioara	PVC tip ST2 negru (A/C2XAIBY) sau gri (A/C2XAIBY-F) Cablurile sunt cu rezistenta sau rezistenta marita la propagarea flacarii conf SR EN 60332-1-2(C2XAIBY,AC2XAIBY) ,SR EN 60332-3-24 /cat 3 (C2XAIBY-F,AC2XAIBY-F)	Outer sheath	PVC type ST2 black or gray The cables are flame retardant or extra flame retardant acc SR EN 60332-1-2(C2XAIBY,AC2XAIBY),SR EN 60332-3-24 /cat 3 (C2XAIBY-F,AC2XAIBY-F) Category C.
Marcaj pe manta	SC ELECTROPLAST SA ,simbol cablu ,tensiune de lucru, luna,an de fabricatie, marcaj de lungime Exemplu de marcaj : C2XAIBY-F 1x120 mm <sup>2</sup> 0.6/1 kV ELECTROPLAST SA 03/2018 0030	Sheath marking	SC ELECTROPLAST SA , cable symbol , operational voltage, months ,year of manufacture, mark length Example: C2XAIBY-F 1x120 mm <sup>2</sup> 0.6/1 kV ELECTROPLAST SA 03/2018 0030
Raza minima de curbura la instalare	Min. 12 x diametrul cablului	Min. bending radius at installation	Min. 12 x cable diameter
Forta maxima de tractiune la pozare	Max.: -50 N/mm <sup>2</sup> ptr cab cu cond Cu -30 N/mm <sup>2</sup> ptr cab cu cond Al	Max. tensile strain during installation	Max- 50 N/mm <sup>2</sup> for copper conductor cable -30 N/mm <sup>2</sup> for aluminum conductor cable
Cod de culori conf SR HD 308 S2 (nr. de conductoare)	negru / galben-verde	Color coding according SR HD 308 S2 (no. of conductors)	black / yellow-green

Tipodimensiune cablu  Cable size	Tip conductor  Type of conductor	Grosime radiala izolatie  Insulation radial thickness  mm	Grosime radiala manta interna nom  Inner sheath radial thickness min. mm	Grosime radiala nom/min manta exteriora  Outer sheath radial thickness nom/min mm	Rezistenta electrica max, la 20°C Cu / Al Max. resistance at 20°C  Ω/km	Diametru exterior inf  Outer diameter Inf  mm
1x16	re	0.7	1.2	1.8/1.24	1.15/1.91	12.5
1x25	rm	0.9	1.2	1.8/1.24	0.727/1.20	14.4
1x35	rm	0.9	1.2	1.8/1.24	0.524/0.868	15.4
1x50	rm	1.0	1.2	1.8/1.24	0.387/0.641	16.8
1x70	rm	1.1	1.2	1.8/1.24	0.268/0.443	18.6
1x95	rm	1.1	1.2	1.8/1.24	0.193/0.320	20.3
1x120	rm	1.2	1.2	1.8/1.24	0.153/0.253	22.0
1x150	rm	1.4	1.2	1.8/1.24	0.124/0.206	23.8
1x185	rm	1.6	1.2	1.8/1.24	0.0991/0.164	27.0
1x240	rm	1.7	1.2	1.8/1.24	0.0754/0.125	29.4
1x300	rm	1.8	1.2	1.8/1.24	0.0601/0.100	32.4
1x400	rm	2.0	1.2	2.2/1.52	0.0470/0.0778	37.7
1x500	rm	2.2	1.2	2.3/1.64	0.0366/0.0605	41.3

**Forma constructiva**



1	Conductoare rotunde, unifilare sau multifilare, din cupru / aluminiu	1	Monowire (re), multiwire (rm) copper / aluminium conductor
2	Conductor izolat	2	Insulated conductor
3	Manta interna	3	Inner sheath
4	Armatura din banda de otel sau otel zincat	4	Blank or zinc-plated cold-rolled
5	Manta exteriora	5	Outer sheath