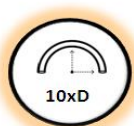
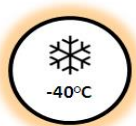
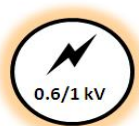


Cablu de energie bipolare cu conductor de aluminiu izolat in XLPE si conductor concentric din cupru in manta de PVC

XLPE-insulated aluminium bipolar power cable with concentric conductor and PVC sheath



Norma de fabricatie: DC 4125 RO; SR HD 603 S1
Tensiune nominala U_0/U : 0.6/1 kV (1.2)

Domeniul de utilizare

Cablurile sunt utilizate pentru realizarea de bransamente monofazate pentru tensiuni U_0/U 0.6/1 kV

* Cablurile sunt cu rezistenta la UV

Temperatura cond central in functionarea de durata: +90°C

Temperatura cond concentric in functionarea de durata: +85°C

Temperatura cond central in scurtcircuit: +250°C

Temperatura cond concentric in scurtcircuit: +160°C

Temperatura minima in timpul pozarii: -5°C

Conductor din aluminiu central

Conductor multifilar (rm) conf. SR EN 60228

Izolatie

Polietilena reticulata (XLPE) tip DIX 3

Conductor concentric din cupru

Conductor multifilar (rm) conf. SR EN 60228

Manta de PVC tip DMV 13, culoare RAL 7001

Cablurile sunt cu intarziere la propagarea flacarii, incercare conf SR EN 60332-1-2.

Certificare SR EN 50575- clasa Eca

Marcaj pe manta

Ex ENEL ARE4*CR-0,6/1 kV 1x25+16C

SC ELECTROPLAST SA, luna, an, metraj, Eca

Raza minima de curbura la instalare

10 x diametrul cablului

Forta maxima de tractiune la pozare

30 N/mm²

Cod de culori

➤ 1 conductor izolat: negru

Standard: DC 4125 RO; SR HD 603 S1

Rated voltage U_0/U : 0.6/1 kV (1.2)

Applicability

Monophase connections for U_0/U rating voltages of 0.6/1 kV.

* UV resistant cables

Core conductor temperature in long-run operation: +90°C

Concentric conductor temperature in long-run operation: +85°C

Core conductor temperature during short-circuit: +250°C

Concentric conductor temperature during short-circuit: +160°C

Min. temperature during installation: -5°C

Copper phase conductor

Concentrically stranded circular conductor (rm); SR EN 60228

Insulation

Crosslink polyethylene (XLPE), DIX 3 type

Concentric copper screen

Multiwire (rm); SR EN 60228

PVC sheath DMV 13 type, color RAL 7001

Flame retardant cables, test acc. to SR EN 60332-1-2 SR EN 50575 certified- class Eca

Sheath marking

Ex ENEL ARE4*CR-0,6/1 kV 1x25+16C

SC ELECTROPLAST SA, month,year, length marking, Eca

Min. bending radius at installation

10 x cable diameter

Max. tensile strain during installation

30 N/mm²

Color coding

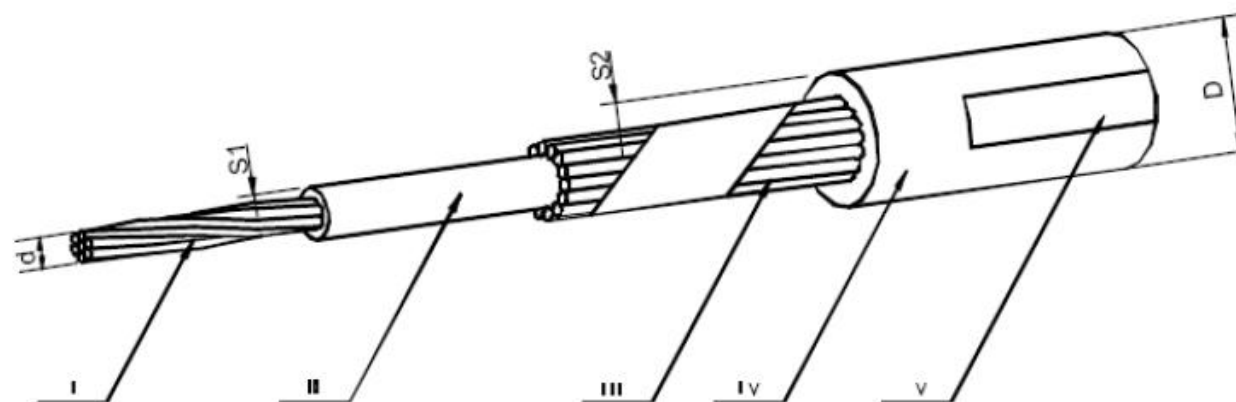
➤ 1 conductor: black

AUE4*CR, ARE4*CR

Cablu de energie bipolare cu conductor de aluminiu izolat in XLPE si conductor concentric din cupru in manta de PVC

XLPE-insulated aluminium bipolar power cable with concentric conductor and PVC sheath

Tip cablu <i>Cable type</i>	Simbol <i>Symbol</i>	No cond x sect <i>No. of cond. x cross-section</i>	Diam ext <i>Outer diam. (≈)</i>	Masa <i>Mass (≈)</i>	Capacitatea de incarcare (A) <i>Installation capacity (A)</i>				Curent admisibil in scurt circuit <i>Thermal short-circuit current</i>	
					aer <i>air</i>	aer in conducte <i>air conduit</i>	pamant <i>buried</i>	Pamant in conducte <i>buried conduit</i>	faza <i>phase</i>	neutru <i>neutral</i>
			mm	kg/km	A	A	A	A	A	A
DC4125/3X	AUE4*CR	1x10+6C	11	170	64	57	84	68	0.9	0.8
DC4125/4X	ARE4*CR	1x25+16C	14	380	114	101	150	120	2.4	2.0



I-conductor nul

II-izolatie

III-conductor Cu concentric

IV-teaca PVC

V-marcaj